

Lock valve

Spring-loaded non-return valve

$Q_{\max} = 170 \text{ l/min}$, $p_{\max} = 350 \text{ bar}$

ball type

Type series: RKVG-G-16-...



- Screw-in cartridge valve
- Exceptionally high Q_{\max} with extremely low Δp
- No soft seal, thus not depending on temperature and pressure fluid
- Virtually leak-proof in closed condition
- High pressure rating

Description

The RKVG series spherical poppet-type check valve is characterized by very high pressure load capacity and extremely low Δp . The valve has a cutting edge for metal-to-metal sealing. By eliminating the soft seal, the valve can be applied without regard to temperature and pressure fluid. The spring-loaded poppet-type check valve very robust, extremely leak-proof and

insensitive to contamination. Valve seat, poppet and body are hardened. The properties of the sealing faces have been enhanced by precision mechanical processing. The valves prevent flow in the screw-in direction (A to B) and open in the opposite direction. The valve is available in nominal sizes 03, 04, 06, 08, 10 and 16.

Symbol



Technical data

General characteristics	Description, value, unit
Function group	Lock valve
Function	Spring-loaded non-return valve
Design	Screw-in cartridge valve
Characteristic	ball type
Construction size	nominal size 16
Thread size	G 3/4"
Mounting attitude	unrestricted
Weight	0.053 kg
Tightening torque steel	60 Nm

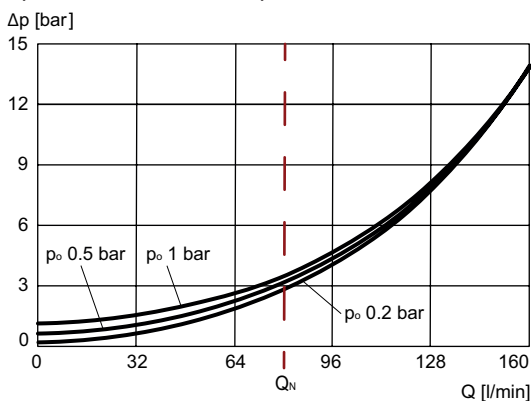
Hydraulic characteristics	Description, value, unit
Maximum operating pressure	350 bar
Maximum flow rate	170 l/min
Nominal flow rate	80 l/min
Flow direction	see symbol
Hydraulic fluid	HL and HLP mineral oil according to DIN 51 524; other fluids on request!
Minimum fluid temperature	- 30 °C
Maximum fluid temperature	+ 80 °C
Viscosity range	10 ... 500 mm ² /s (cSt)
Minimum fluid cleanliness (cleanliness class according to ISO 4406:1999)	class 20/18/15
Opening pressure	0.2 / 0.5 / 1.0 bar

i **NOTE!**
For other values please contact Bucher Hydraulics.

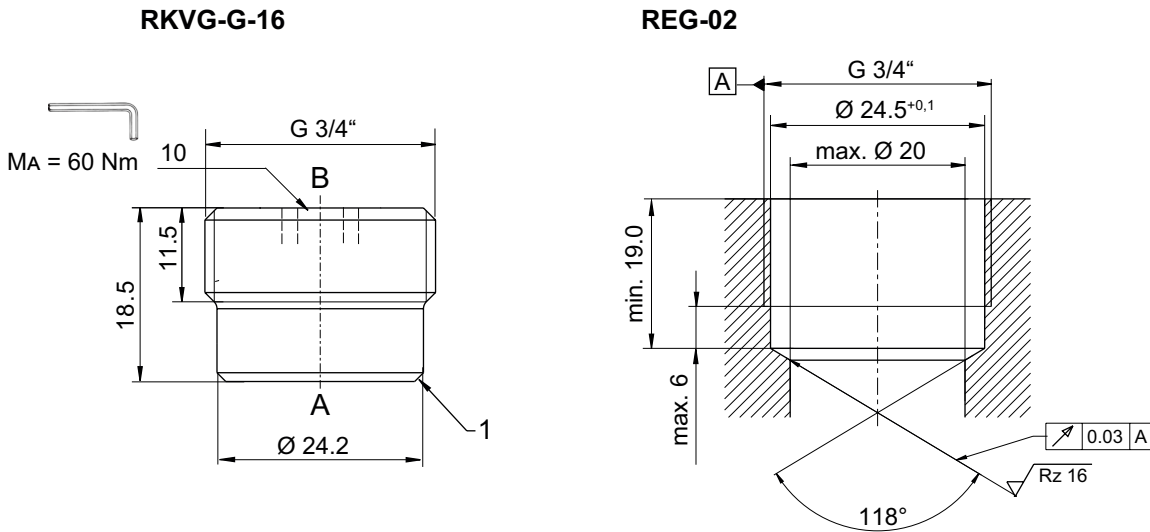
Performance graphs

measured with oil viscosity 33.0 mm²/s (cSt)

$\Delta p = f(Q)$ Pressure drop-flow rate characteristic



Dimensions and sectional view



RKVG-G-16 = check valve / screw-in cartridge valve

REG-02 = dimension of the cavity for screw-in cartridge RKVG-G-16

1 = sealing edge for metal-to-metal sealing

The dimensions specified apply to the mounted state.

Installation information



NOTE!

When fitting the screw-in cartridge valve, use the specified tightening torque. The value can be found in the chapter technical data. Orifices or nozzles are to be placed after the check valve. If this is not possible, a right-angled bore must be designated between the check valve and the nozzle. (see data sheet 170-P-059000).



ATTENTION!

When fitting the valve, make sure that it is firmly seated on the sealing surface and that it is not deformed by the use of excessive force.

Application Note



NOTE!

The maximum operating pressure must not be exceeded even when pressure peaks occur. In applications such as accumulator circuits, where sudden pressure can be applied to the valve in the free-flow direction, ensure that the specified flow ratings are not exceeded. Buyers bear the sole responsibility for ensuring that the valve is suitable for their applications and must be substantiated by trials or testing, if necessary.



ATTENTION!

The valves are only suitable for pressure relief in the opening direction to a limited extent. (if necessary, please consult Bucher Hydraulics).

Ordering code

Ex. RKVG - G - 16 - 02

- RKVG = check valve, screw-in type, spherical poppet,
(no-flow direction opposite to screw-in direction)
- G = whitworth pipe thread G3/4"
- 16 = nominal size 16, Q_{Nominal} 80 l/min
- 02 = opening pressure 0.2 bar (Item no.: 170628643)
- 05 = opening pressure 0.5 bar (Item no.: 170628640)
- 1 = opening pressure 1.0 bar (Item no.: 170628642)

Related data sheets

Reference	Description
170-P-059000	Using nozzles or orifices before a Check Valve